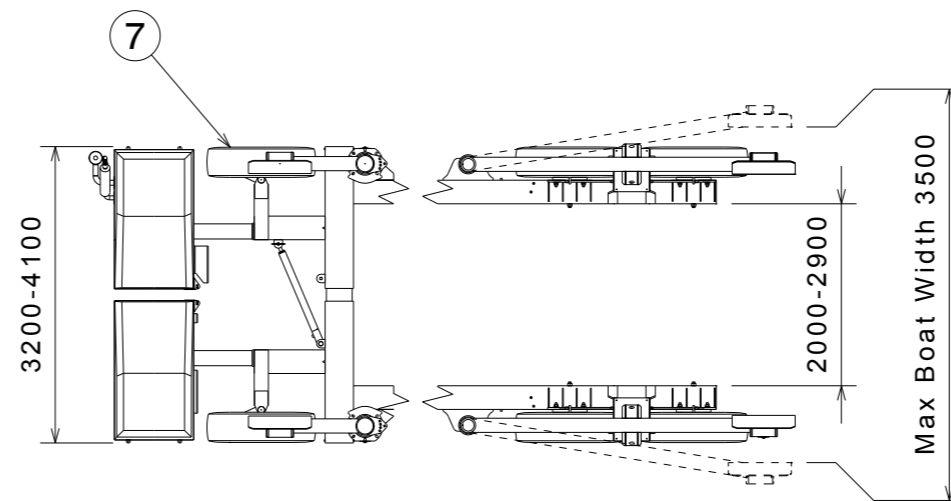
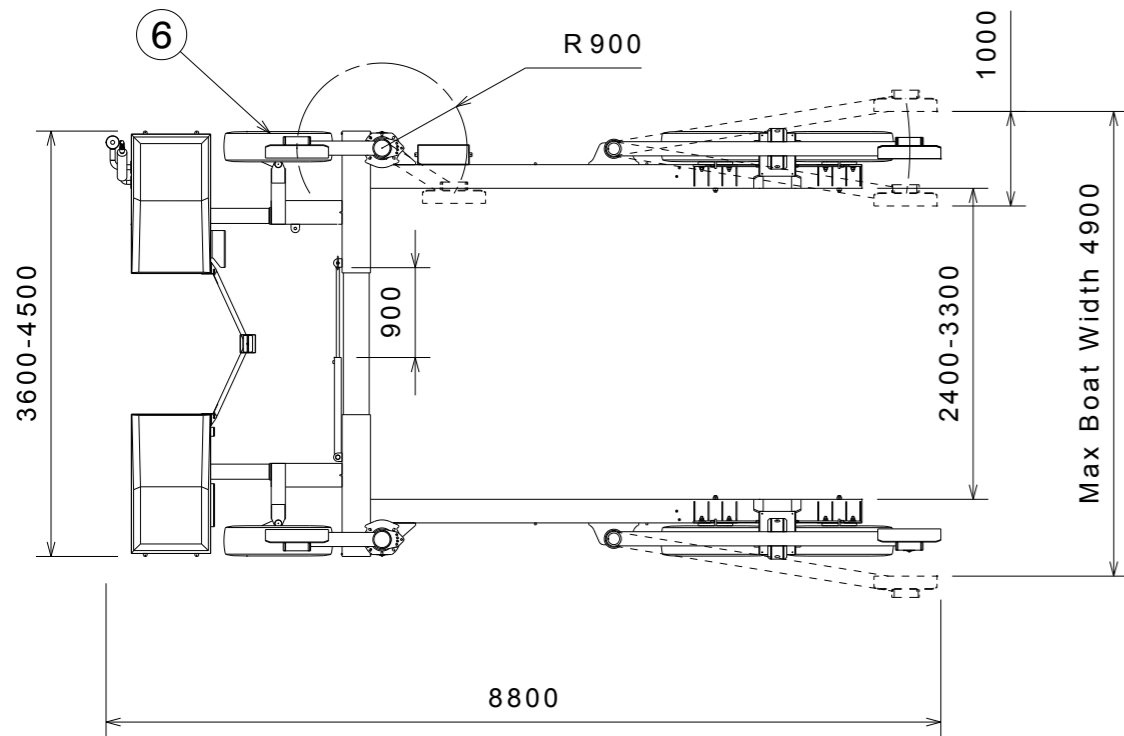
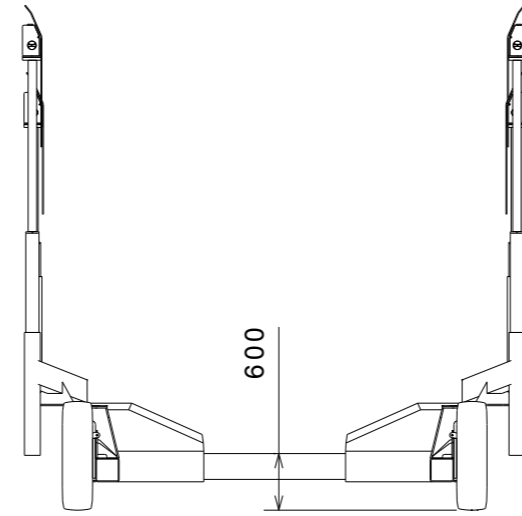
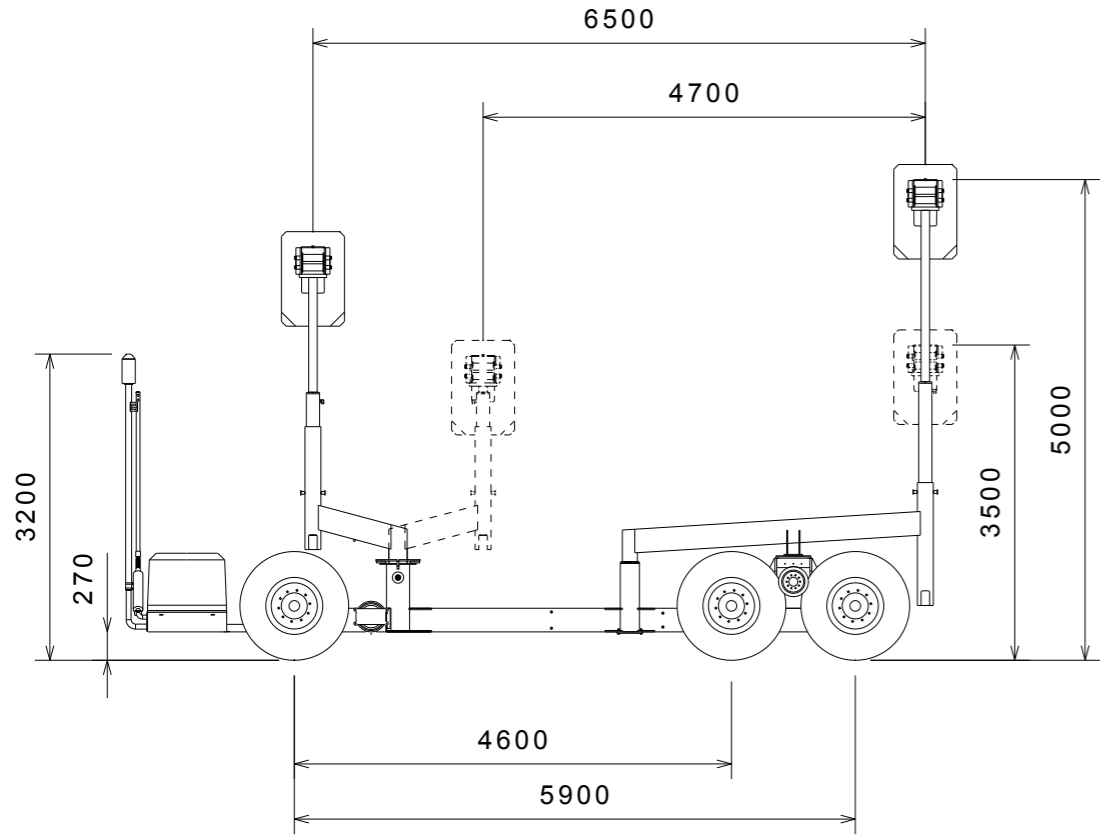



Nr	Ant	Ändring	Datum	Inf.	Godk.
1	1	Note no. 3 removed	2015-01-15		



Data	
Service Weight:	7,200 kg
Max load:	25,000 kg
Max load/sling front:	10,000 kg
Max load/sling rear:	15,000 kg
Highest slope:	1/8
Max side slope:	1/15
Engine:	Kubota 36 kW
Maximum speed:	6 km/h

Note	
1.	Measurements given with standard 3,0 m crossbeam
2.	Ground clearance given unladen
3.	All dimensions has been rounded off
4.	Drawings are subject to change without prior notice
5.	Normal configuration
6.	Narrow configuration

Det.nr	Ant.	Benämning			Material	Mod.nr ämne Dimension	Anm.		
Konstr.	Ritad	Kop.	Kontr.	Stand.	Godk.	Skala	Ersätter	Ersatt av	
IG	ML					1:50	2015-01-19		
 Djupvik SE-471 98 Fagerfjäll Sweden						Sublift 25t		Dat.	2016-02-26
								Ritn.nr	