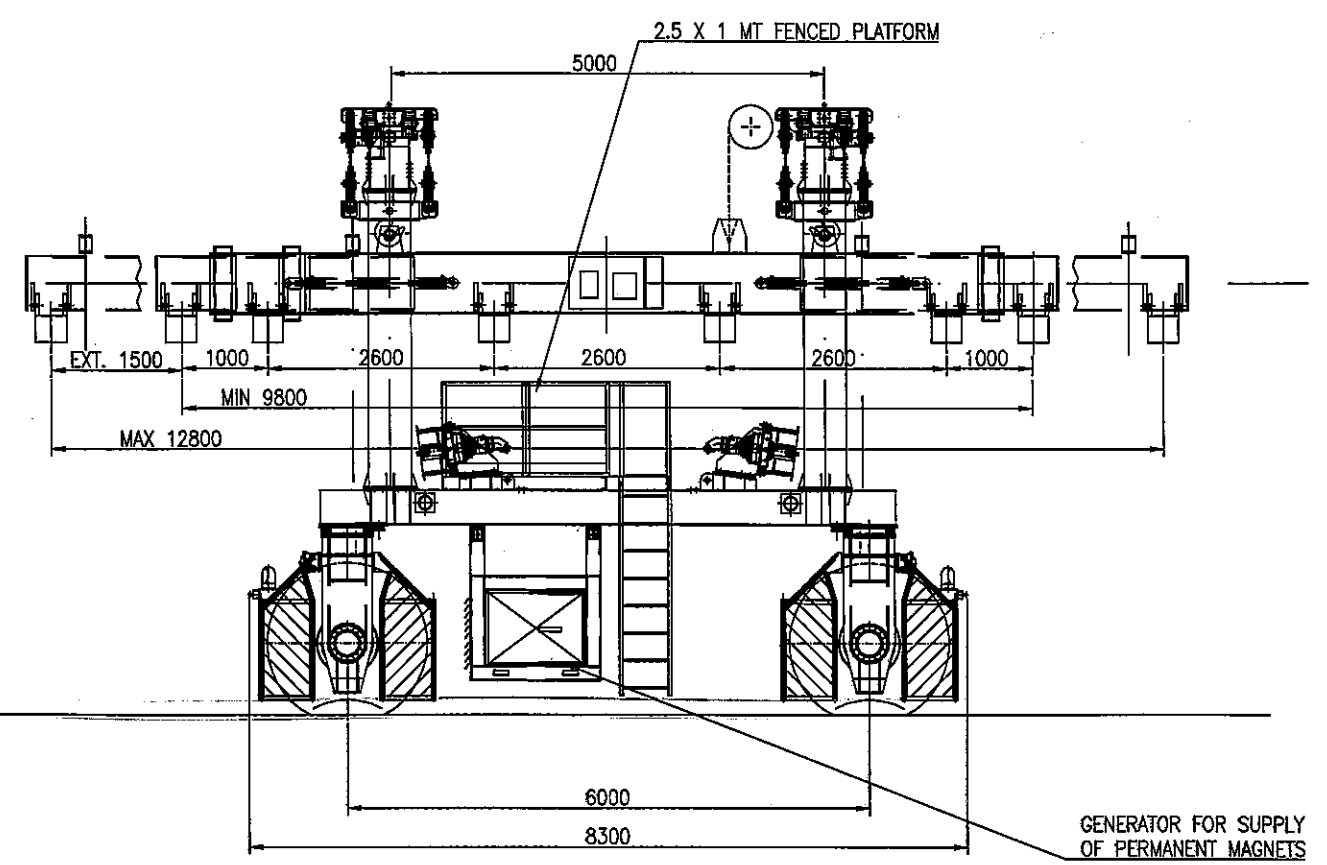
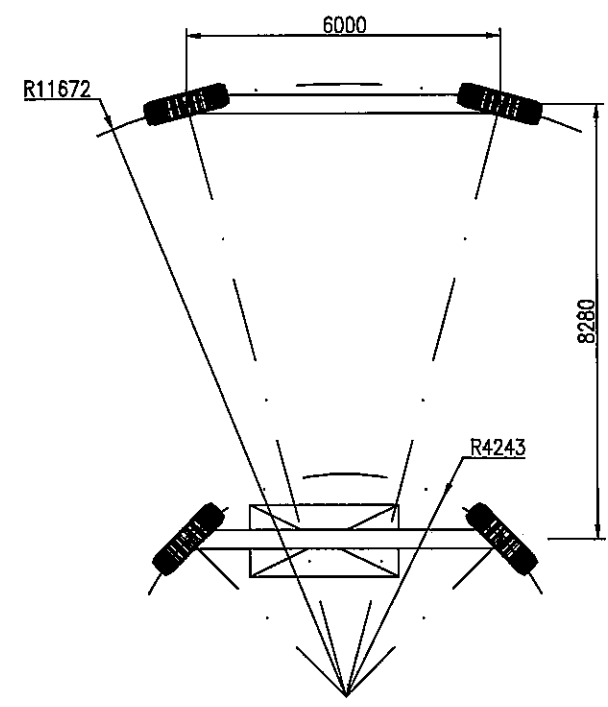


STEERING SCHEME



EQUIPMENT MACCHINA MOBILIFT TE/40	DRAWING N. N. DISEGNO S0355C0010
DETAIL DETTAGLIO GENERAL ASSEMBLY	SHEET FOGLIO 1/1
	SCALE SCALA 1:60
BY DISEGNATORE D.G.	
DATE DATA 19.02.07	OFFER OFFERTA 359/06

RIGHTS RESERVED. No copy or use can be made of this drawing without previous authorization by DE NICOLA.