

# CONOLIFT

MARINE HYDRAULIC  
EQUIPMENT



INNOVATION  
QUALITY  
COMMITMENT

## TABLE OF CONTENTS

- 1 The Kropf Story
- 2 The Conolift Advantage
- 4 Yard Trailers
- 6 Self-propelled Trailers
- 8 All-Wheel Steer Trailers
- 10 Highway Trailers
- 12 Optional Equipment
- 14 Sling Lifts
- 16 Marine Mobile Lifts
- 20 Haulie Trailer Tugs
- 21 Boat Stands





## THE KROPF STORY

*“Conolift marine equipment continues to set the standard for boat handling and storage operations.”*

When asked to build a hydraulic boat trailer in the early 1980s, Kropf Industrial founder Peter Kropf looked at the designs on the market and realized there was a better way to build trailers. The first Conolift hydraulic trailer was born out of that realization, offering an open frame design that expanded in width and lifted vertically. That first trailer was sold to a large dealership after its first trip to the Toronto Boat Show.

After the first trailer sold almost immediately, the Conolift line of equipment became a primary focus of Kropf Industrial. Over the next several

decades, Conolift trailers have earned a reputation for offering unmatched flexibility, ease of operation, and durability. New trailer models were introduced regularly, and the division grew to the point where it could offer a diversified line of boat handling equipment that catered to almost any set of requirements for both power and sail boats up to 100 tons. Now, with well over 1,200 units sold, and a range of products that includes marine mobile lifts, sling lifts, trailer tugs, and storage stands, Conolift marine equipment continues to set the standard for boat handling and storage operations.

Along with its industry-leading line of Conolift equipment, Kropf Industrial also offers steel tube floating docks, floating breakwaters, industrial equipment for material handling, and custom fabrication and design. As a diverse marine infrastructure and equipment supplier, Kropf can offer you a wealth of knowledge and experience to solve your unique challenges, with the comfort of knowing Kropf will continue to make your success our priority.

## THE CONOLIFT ADVANTAGE

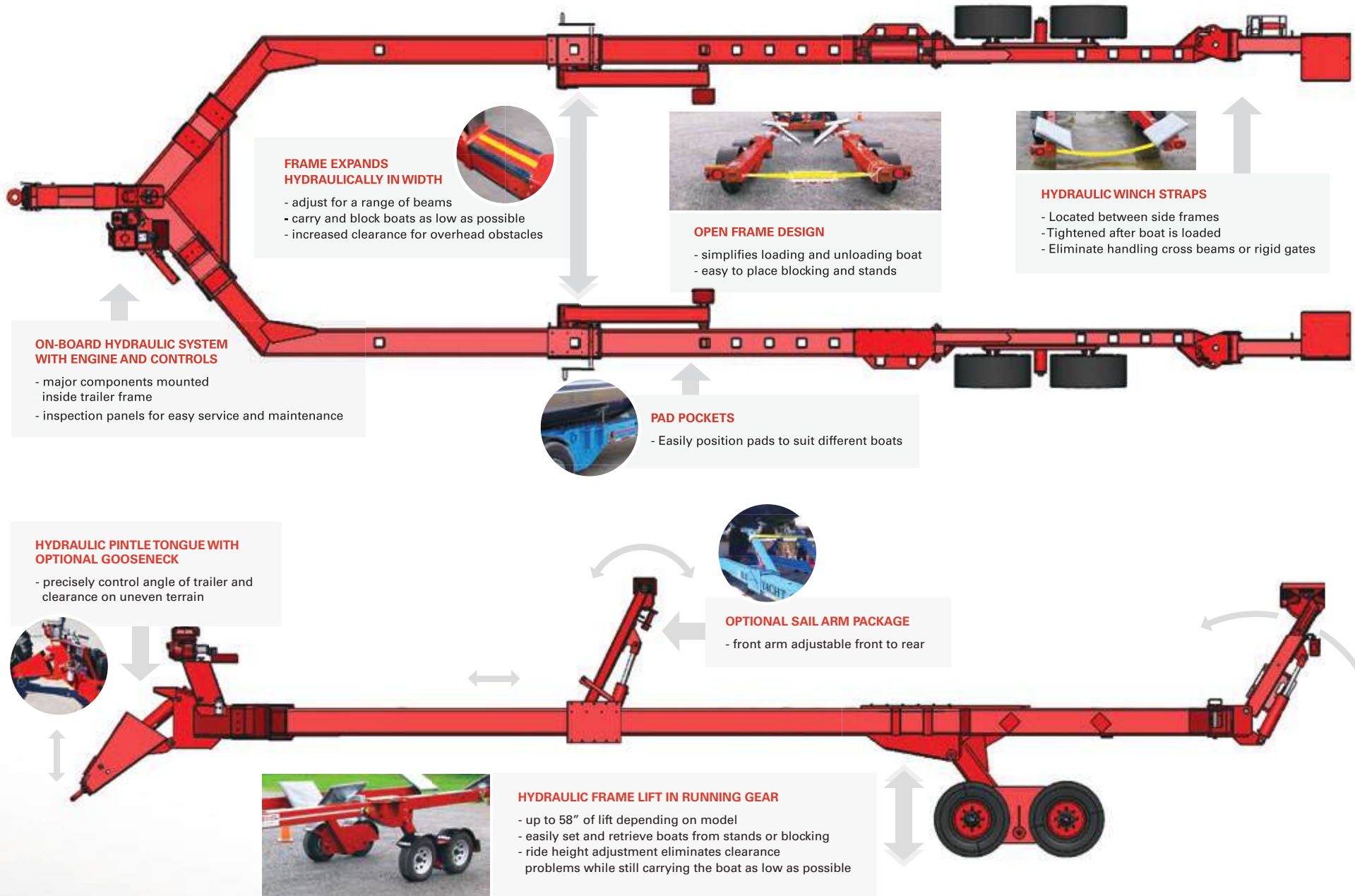
*“Any one of our trailers can be configured to allow you to move powerboats, sail boats, and boats in cradles with the same trailer.”*

When you buy a Conolift hydraulic trailer, you are not just buying decades of experience supplying over 1,200 hard-working and reliable trailers. You are also buying a truly unique trailer design that offers you unmatched flexibility and ease of use, allowing you to maximize efficiency

and safety in your operation. All of our hydraulic trailers feature the benefits that have built Conolift's reputation as the industry's leading hydraulic trailer brand, including an open frame that expands in width, substantial hydraulic frame lift, and a hydraulic tongue for leveling and ride height adjustment.

All trailers include a three year warranty on the frame, two years on hydraulic components, and ninety days on running gear.





**FRAME EXPANDS HYDRAULICALLY IN WIDTH**

- adjust for a range of beams
- carry and block boats as low as possible
- increased clearance for overhead obstacles

**OPEN FRAME DESIGN**

- simplifies loading and unloading boat
- easy to place blocking and stands

**HYDRAULIC WINCH STRAPS**

- Located between side frames
- Tightened after boat is loaded
- Eliminate handling cross beams or rigid gates

**ON-BOARD HYDRAULIC SYSTEM WITH ENGINE AND CONTROLS**

- major components mounted inside trailer frame
- inspection panels for easy service and maintenance

**PAD POCKETS**

- Easily position pads to suit different boats

**HYDRAULIC PINTLE TONGUE WITH OPTIONAL GOOSENECK**

- precisely control angle of trailer and clearance on uneven terrain

**OPTIONAL SAIL ARM PACKAGE**

- front arm adjustable front to rear

**HYDRAULIC FRAME LIFT IN RUNNING GEAR**

- up to 58" of lift depending on model
- easily set and retrieve boats from stands or blocking
- ride height adjustment eliminates clearance problems while still carrying the boat as low as possible

# YARD TRAILERS

*Efficient, durable, and easy to use trailers that will provide exceptional value for decades.*

Designed and built for years of hard service in your yard, these rugged and durable trailers allow you to achieve labor efficiencies through simplified operations while maximizing the use of your yard space. The expanding frame width ensures you can carry

boats safely and yet still always store them within inches of each other. Yard trailers feature robust and durable components, including solid mining tires, Honda engines, and pilot operated lock valves on all lift functions.



MODEL	LOAD CAPACITY	BOAT LENGTH	YARD TRAILER DIMENSIONS						ENGINE HP	SHIPPING WEIGHT
			A	B	C	D	E	F		
Y-3	6,000 lbs	16' - 24'	90"	54"	18" - 52"	4' 11"	13' 1"	24' 6"	5.5	2,800 lbs
Y-4	8,000 lbs	16' - 30'	102"	64"	20" - 40"	5'	16' 3"	26' 10"	5.5	3,400 lbs
Y-7	14,000 lbs	18' - 34'	102" - 128"	68" - 98"	22" - 52"	5' 4"	17'	28' 10"	5.5	4,000lbs
Y-10	20,000 lbs	18' - 37'	102" - 132"	68" - 98"	22" - 56"	6' 4"	20' 2"	32' 9"	5.5	5,000 lbs
Y-15	30,000 lbs	20' - 42'	107" - 137"	68" - 98"	24" - 56"	7' 5"	22'	35' 6"	5.5	7,500 lbs
Y-20	40,000 lbs	20' - 46'	107" - 137"	68" - 98"	24" - 56"	8' 6"	24'	38' 6"	5.5	8,000 lbs
Y-25	50,000 lbs	20' - 48'	111" - 141"	68" - 98"	24" - 56"	8' 6"	27'	42'	5.5	8,800 lbs
Y-30	60,000 lbs	28' - 50'	130" - 160"	84" - 114"	24" - 62"	10' 6"	27'	45'	9	11,000 lbs
Y-40	80,000 lbs	30' - 60'	130" - 160"	84" - 114"	24" - 62"	11' 6"	29' 6"	48' 6"	11	13,000 lbs
Y-50	100,000 lbs	30' - 64'	130" - 160"	84" - 114"	28" - 57"	11'	31' 6"	50' 6"	11	16,000 lbs
Y-60	120,000 lbs	30' - 70'	156" - 186"	96" - 126"	30" - 66"	16'	36'	60'	11	22,000 lbs
Y-80	160,000 lbs	30' - 80'	159" - 189"	97" - 127"	29" - 64"	14' 6"	42'	67'	18	30,000 lbs
Y-100	200,000 lbs	30' - 90'	166" - 196"	97" - 127"	29" - 64"	16' 5"	59' 6"	94' 5"	18	40,000 lbs



## OPTIONAL EQUIPMENT

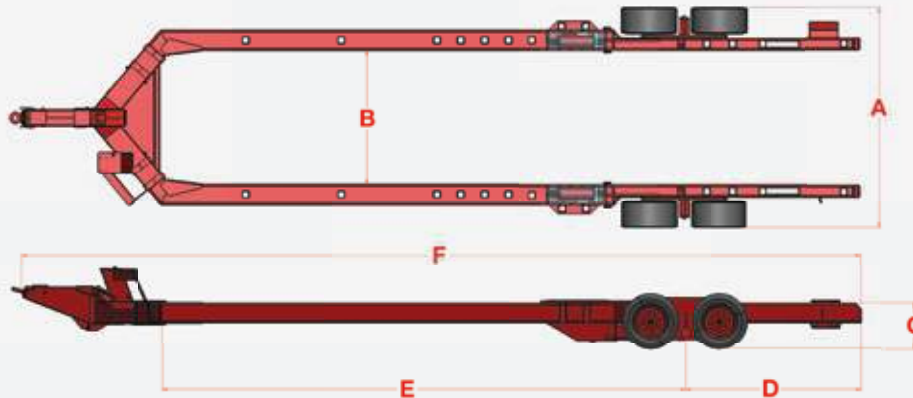
Hydraulic front dolly wheels

Winch system

Hydraulic fifth wheel gooseneck

Radio remote control

4 or 6 arm hydraulic sailboat package



# SELF-PROPELLED TRAILERS

*A shorter overall length and 180 degree front steering allows you to maximize your yard space.*

Space is money when it comes to boat storage. That is why Conolift self-propelled trailers offer all the standard Conolift features, along with the convenience and efficiency of a self-contained drive and steer system, utilizing reliable Tier 3 or 4 engines

with digital displays and joystick. 180 degree front wheel steering provides maximum maneuverability, while a sit-down operator's station with pivoting seat ensures operator comfort and maximum visibility while moving in any direction.



MODEL	LOAD CAPACITY	BOAT LENGTH	TRAVEL SPEED	GRADE CAPABILITY	SELF-PROPELLED TRAILER DIMENSIONS					
					A	B	C	D	E	F
SP-4	8,000 lbs	16' - 30'	0 - 9 MPH	10%	102"	64"	20" - 40"	5' 0"	16' 4"	29' 6"
SP-6	12,000 LBS	18' - 34'	0 - 9 MPH	10%	102" - 132"	68" - 96"	22" - 54"	6' 4"	15' 4"	36' 6"
SP-10	20,000 LBS	18' - 37'	0 - 9 MPH	10%	102" - 132"	68" - 96"	22" - 54"	6' 4"	19' 2"	36' 6"
SP-15	30,000 LBS	20' - 42'	0 - 9 MPH	10%	107" - 137"	68" - 96"	24" - 56"	7' 10"	21' 4"	39' 6"
SP-20	40,000 LBS	20' - 46'	0 - 9 MPH	8%	107" - 137"	68" - 96"	24" - 56"	8' 6"	24' 0"	43' 0"
SP-25	50,000 lbs	20' - 48'	0 - 9 MPH	8%	111" - 141"	70" - 98"	24" - 56"	8' 6"	27'	46' 0"
SP-30	60,000 LBS	28' - 50'	0 - 6 MPH	8%	121" - 151"	84" - 114"	24" - 62"	10' 6"	27' 4"	50' 0"
SP-40	80,000 LBS	30' - 60'	0 - 6 MPH	8%	121" - 151"	84" - 114"	24" - 62"	11' 6"	29' 6"	55' 0"
SP-60	120,000 LBS	30' - 70'	0 - 6 MPH	6%	156" - 186"	96" - 126"	30" - 66"	16' 0"	32' 6"	61' 0"
SP-80	160,000 LBS	30' - 80'	0 - 6 MPH	6%	159" - 189"	97" - 127"	30" - 64"	14' 7"	43' 4"	72' 8"
SP-100	200,000 LBS	30' - 90'	0 - 4 MPH	6%	166" - 196"	97" - 127"	30" - 64"	16' 5"	59' 6"	87' 5"



## OPTIONAL EQUIPMENT

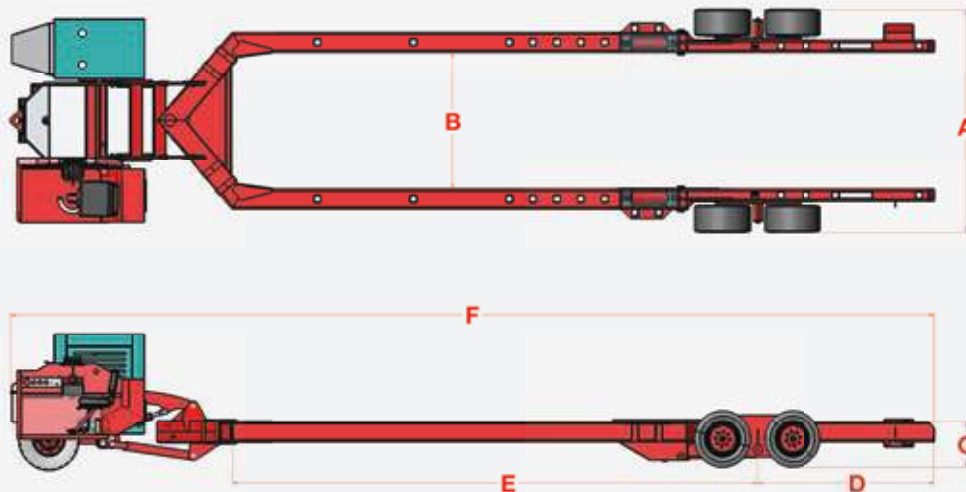
Radio remote control

Rear wheel drive for steep grades

Hydraulically raised operator's station

Digital engine information display

4 or 6 arm hydraulic sailboat package



# ALL - WHEEL STEER TRAILERS

*180 degree steering wheels at all four corners provide unmatched maneuverability.*

To fully maximize your available storage space, Conolift offers an all-wheel steering version of our self-propelled trailers. These units feature full 180 degree steering and drive wheels at all four corners, providing maximum maneuverability with multiple steering modes

including crab and carousel. Conolift's proven open-frame design with frame lift and expanding width ensures that the trailer can be adjusted to a wide range of boats, while radio remote control maximizes operator visibility and safety.





# HIGHWAY TRAILERS

*The most versatile trailer on the market allows you to meet the unique transportation demands of your clients.*

Conolift's highway trailers allow you to safely and efficiently load, transport, and unload a boat without the use of additional equipment. The Conolift advantages allow easy retrieval, and ensure that each boat is carried as per the manufacturer's

recommendations. Nitrogen ride suspension, steel tie down rings, a spare tire and carrier, and pilot operated lock valves are standard on all trailers, while electric/hydraulic brakes and aluminum rims are standard on the YH-9 and above.



CAPACITY			HIGHWAY TRAILER DIMENSIONS								SHIPPING WEIGHT
MODEL	ON ROAD	OFF ROAD	BOAT LENGTH	A	B	C	D	E	F		
YH-3	6,000 lbs	8,000 lbs	16' - 26'	89"	55"	18"	4' 6"	13' 6"	22' 9"	3,200 lbs	
YH-4	8,000 lbs	10,000 lbs	16' - 28'	98"	64"	20" - 40"	5'	16' 3"	26' 0"	4,100 lbs	
YH-7	14,000 lbs	16,000 lbs	18' - 33'	102" - 108"	68" - 98"	22" - 52"	5' 4"	17' 0"	28' 10"	6,000 lbs	
YH-9	18,000 lbs	24,000 lbs	18' - 37'	102" - 132"	61" - 98"	24" - 56"	6'	20' 6"	32' 10"	8,000 lbs	
YH-12	24,000 lbs	30,000 lbs	18' - 42'	102" - 132"	61" - 98"	24" - 58"	7'	22' 4"	36' 0"	8,500 lbs	
YH-15	30,000 lbs	50,000 lbs	20' - 50'	102" - 155"	41" - 94"	26" - 64"	6' 6"	31' 3"	48' 0"	14,500 lbs	
YH-18	36,000 lbs	36,000 lbs	28' - 50'	102" - 155"	52" - 107"	25" - 62"	7' 6"	36'	45' 1"	12,500 lbs	
YH-20	40,000 lbs	40,000 lbs	30' - 53'	115" - 168"	41" - 94"	30" - 58"	10' 2"	31'	53'	20,000 lbs	
YH-30	60,000 lbs	60,000 lbs	25' - 56'	120" - 166"	55" - 101"	26" - 64"	11' 6"	29' 1"	56'	25,000 lbs	
YH-60	120,000 lbs	120,000 lbs	30' - 75'	144" - 191"	63" - 110"	33" - 60"	16' 4"	44' 5"	78'	34,300 lbs	



## OPTIONAL EQUIPMENT

Radio remote control

Hydraulic fifth wheel gooseneck

Air ride suspension

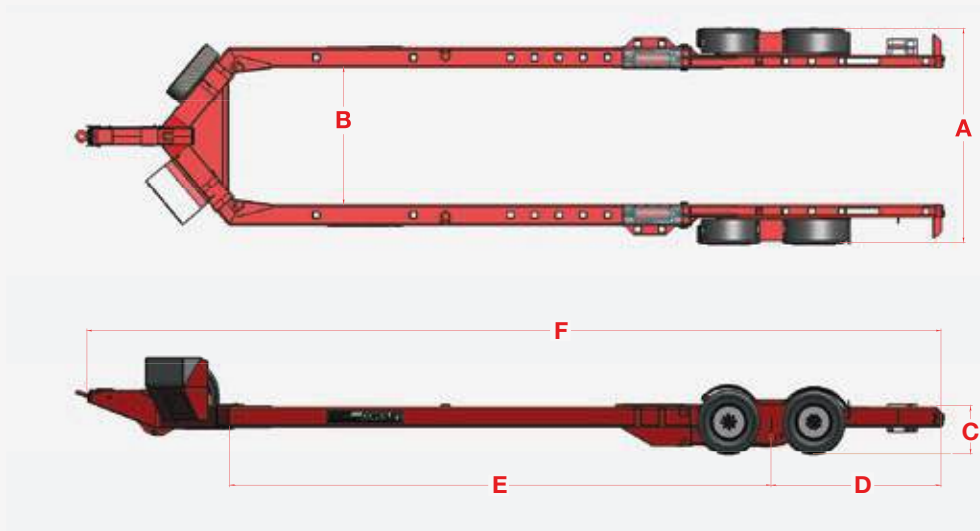
Air/hydraulic brakes

Stainless steel disc brakes

Hydraulic front dolly wheels & winch

Racking for multiple boats

4 or 6 arm hydraulic sailboat package



*We understand that each customer's needs are unique, which is why we offer a wide range of optional equipment to ensure you are getting the trailer that will enhance your operations and bottom line. These options can be added to any Yard, Self-Propelled, or Highway trailer.*

## OPTIONAL EQUIPMENT

- **Wireless radio remote control with manual backup**
- **Hydraulic sail arm package**
- **Hydraulic goose neck**
- **Rear pad equalizing system**
- **Rolling cantilever pad system**
- **Cradle L-arms to easily move cradles**
- **Hot dipped galvanized frame, hubs, and components**
- **Stainless steel hydraulic fittings**
- **Air bunks for moving catamarans**
- **Rolling keel bunk**



Wireless radio remote control with manual backup



4 or 6 arm hydraulic sailboat package



Hydraulic goose neck



Expanding length frame



Rolling keel bunk



Sliding cantilever pad system



Cradle L - arms to easily move cradles



Air bunks for moving catamarans

# SLING LIFTS

*The unique flexibility of a Conolift trailer frame with the added simplicity of slings.*

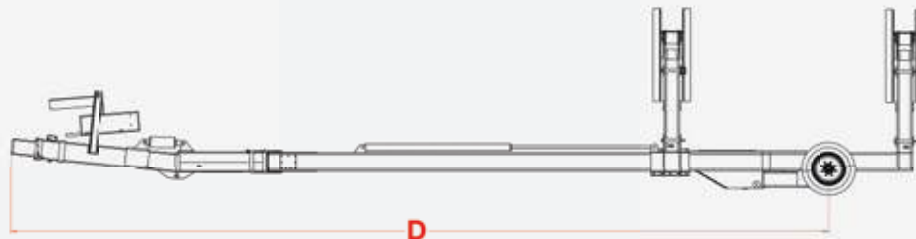
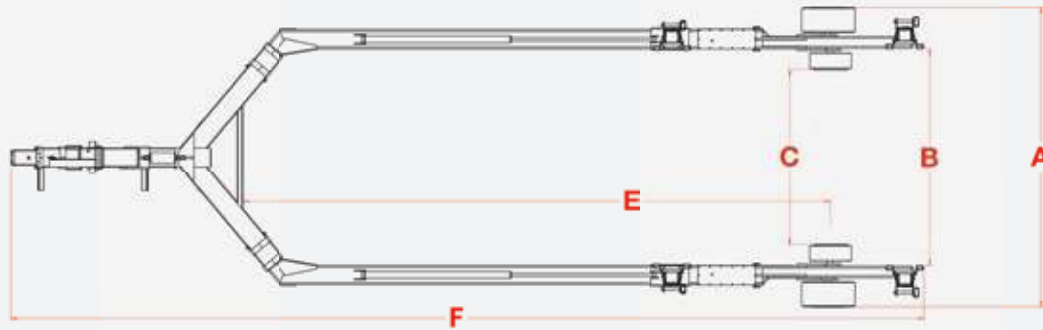
A Conolift sling lift trailer offers users the ability to easily launch, retrieve, and store both powerboats and sailboats on a launch ramp. The sling system simplifies lifting boats, and unlike a conventional trailer, a sling lift can place boats either into cradles or on stands. For facilities

with a launch ramp, a sling lift offers the ease of use of a straddle carrier, while avoiding the need for a costly lift well. Sling lifts offer lift in both the posts and the wheels, and are adjustable in width to minimize the wasted storage space inherent in a fixed-width lift.





MODEL	LOAD CAPACITY	BOAT LENGTH		SLING LIFT TRAILER DIMENSIONS					
		POWER (UPTO)	SAIL (UPTO)	A	B	C	D	E	F
SL-5	10,000 LBS	32'	33'	140" - 194"	108" - 162"	77" - 131"	27'	19' 8"	30' 2"
SL-10	20,000 LBS	37'	38'	140" - 194"	108" - 162"	77" - 131"	27'	19' 8"	30' 2"
SL-15	30,000 LBS	42'	44'	145" - 199"	115" - 169"	84" - 138"	31'	21' - 3"	34'
SL-20	40,000 LBS	46'	48'	150" - 204"	120" - 143"	89" - 143"	35'	25' 3"	38'
SL-40	80,000 LBS	60'	60'	194" - 264"	132" - 206"	107" - 167"	49' 9"	34' 7"	50' 1"



## STANDARD FEATURES

Full radio remote control

Honda-powered hydraulic system

Hydraulically adjusted forward posts for sling positioning

Safety lock valves on all lifts

Stainless steel hardware

## OPTIONAL EQUIPMENT

Extendable tongue

Front dolly wheel

Galvanized and stainless steel package

Self-propelled tractor unit

# MARINE MOBILE LIFTS

*A lift you can rely on.*





*Quality engineering, rugged durability, and outstanding value are the trademarks of Conolift's Marine Mobile Lifts.*

Conolift has been manufacturing mobile straddle carriers since the 1980s. These machines feature a high strength, low alloy tube frame design that is open at one end with an equalizing joint at the other. Ackerman steering with powered slew bearings provides a tight turning radius and excellent durability, and the four lift point

functions can be controlled simultaneously or independently. Hydraulic sling positioners are standard on all machines. Radio remote control is also standard, providing maximum operator visibility and safety during operations. Load gauges provide the operator an accurate weight of the vessel being carried,

ensuring safe limits are always maintained. Reliable Tier 3 or 4 diesel power is standard, coupled to high quality hydraulic pumps, cylinders, winches, and planetary drives. All machines come standard with a 2 year frame and hydraulic system warranty, or 2,000 hours, whichever comes first.

## STANDARD FEATURES

---

Radio remote control with spare

---

Digital load gauges on remote

---

Digital dash with engine information and diagnostics

---

Hydraulic sling positioners

---

All-new solid rubber mining tires

---

Manual backup controls in engine compartment





MODEL	LOAD CAPACITY	ENGINE HP	TRAVEL SPEED	GRADE CAPABILITY	WIDTH OVERALL	WHEEL BASE	CLEAR WIDTH	HEIGHT OVERALL	CLEAR HEIGHT
MML -20	40,000 LBS	85	0-180'/MIN	5%	19' 6"	17'	16'	20'	18'
MML -40	80,000 LBS	85	0-180'/MIN	5%	21' 9"	17'	16' 6"	20'	18'
MML -60	120,000 LBS	85	0-180'/MIN	5%	25'	21'	20'	23' 3"	20'
MML -80	160,000 LBS	85	0-180'/MIN	5%	27'	22' 8"	21'	25' 3"	22' 6"
MML -100	200,000 LBS	100	0-180'/MIN	5%	33'	30'	26'	32'	28' 6"



## OPTIONAL EQUIPMENT

---

Four-wheel steering

---

Night work package

---

Cold weather package

---

Extended top beam for sailboats

---

All-electric power system

# HAULLE TRAILER TUGS

*The use of a trailer tug offers numerous benefits, including improved use of space and reduced in-yard damage.*

Conolift's Haulle trailer tug is a highly maneuverable and rugged unit that can convert any yard or highway trailer into a self-propelled workhorse. Independently controlled hydraulic wheel drives enable precise control in tight quarters, even at creep speed.

## CAPACITIES

- Towing Capacity: 40,000 lbs
- Fifth wheel tongue load: 15,000 lbs
- Ball/pintle hitch capacity: 8,000 lbs



## FEATURES

---

24 HP Honda engine

---

Radio remote control with manual backup

---

Hydraulic locking fifth wheel

---

Hydraulic lift on fifth wheel and pintle hitch

---

Onboard 12V air compressor and air tank

---

Air brake glad hand and hose

---

Hydraulic stabilizer wheels

---

Movement alarm, flashing beacons, and e-stops on each fender



# BOAT STANDS

*Rugged and reliable galvanized boat storage stands that are stackable for easy storage.*

Conolift's hot dip galvanized boat stands for both power and sailboats provide security and versatility to meet your storage needs. These rugged stands feature a welded steel angle-iron base, combined with a solid threaded screw top. A treated plywood pad with steel backer is secure to the top via a removable bolt with nylon washer. This allows the pad to maintain a preset position for secured easier setup.

Conolift stands are designed to be stackable and easily handled, while offering exceptional longevity and strength. A variety of sizes is available, including a range of powerboat and sailboat stands, keel stands, and catamaran bunks.



# CONOLIFT AQUACULTURE MARINE

Innovation and quality have been the defining characteristics of our products since we were founded in 1977. With a well-equipped facility and experienced workforce, Kropf Industrial is capable of handling a wide variety of custom design and fabrication projects in addition to the products offered by our three primary divisions.



## ► KROPF CONOLIFT

Manufactures a full line of versatile marine hydraulic equipment that will improve your operations and increase your bottom line. Available in 3-100 Tonnes.

## ► KROPF AQUACULTURE

Manufactures steel pontoon fish cages and walkways. These rugged steel cages provide a safe and secure structure with a working platform for fish farming operations.

## ► KROPF MARINE

Has been providing quality steel tube floating dock systems to discerning clients for over 25 years. Our commitment to superior workmanship and conscientious customer service has allowed Kropf Industrial Inc. to become an industry leader in the floating dock market.